



Specifications

Electrical Ratings	1A @ 24VDC 1A @ 125VAC 0.5A @ 250VAC
Sealing Degree	IP 40 or IP65
Electrical Life	30,000 cycles typical
Contact Resistance	≤ 50mΩ initial

Actuation Force	200 ±50gF
Actuation Travel	2.5 ± .3mm
Dielectric Strength	1000Vrms min contact to contact 1500Vrms min contact to LED
Insulation Resistance	≥ 100MΩ min
Operating Temperature	-25°C to 70°C
Storage Temperature	-25°C to 70°C

Materials

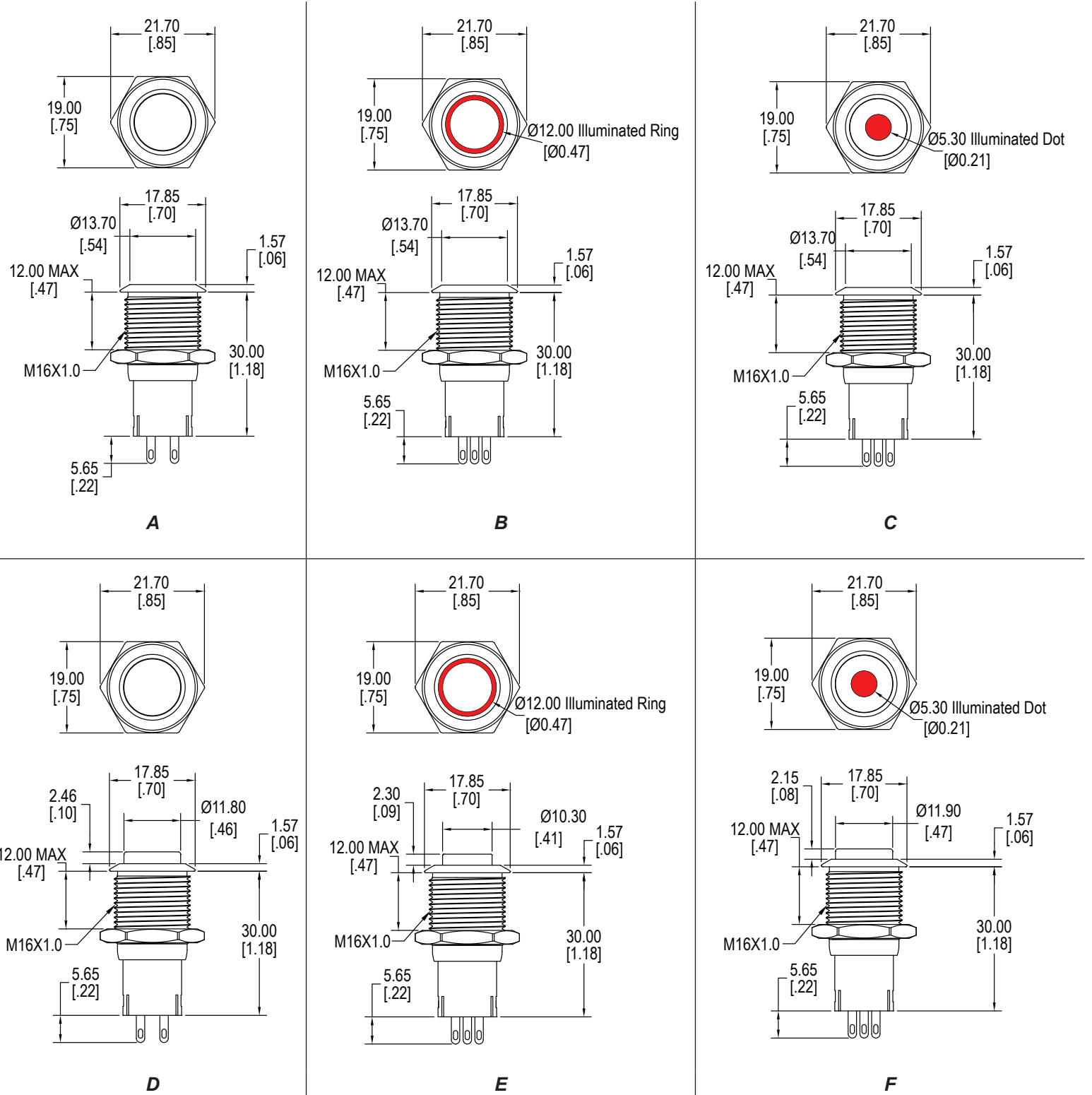
Actuator & Body	Brass, Nickel Plated, Stainless Steel, Black Anodized Aluminum
LED Lens	Polycarbonate (PC)
Nut	Nickel Plated Brass
Terminal Support	Polybutylene Terephthalate (PBT)
Inner Switch Body	Polycarbonate (PC)
Contacts	Silver Alloy
Terminals	Tin Plated Brass

Ordering Information

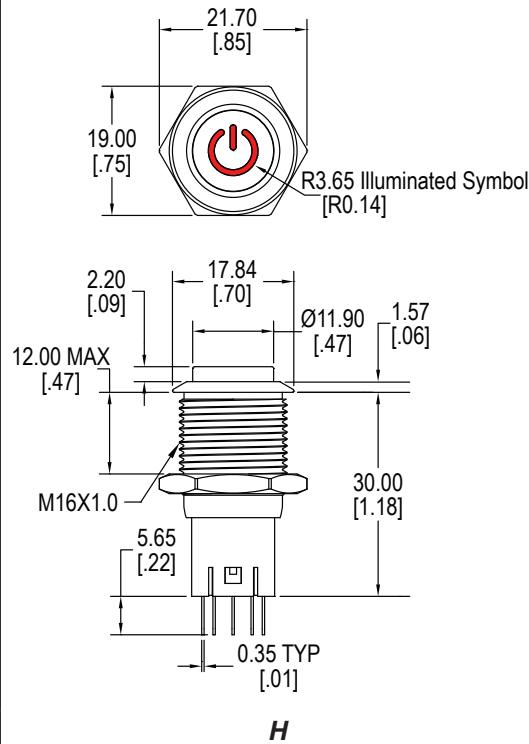
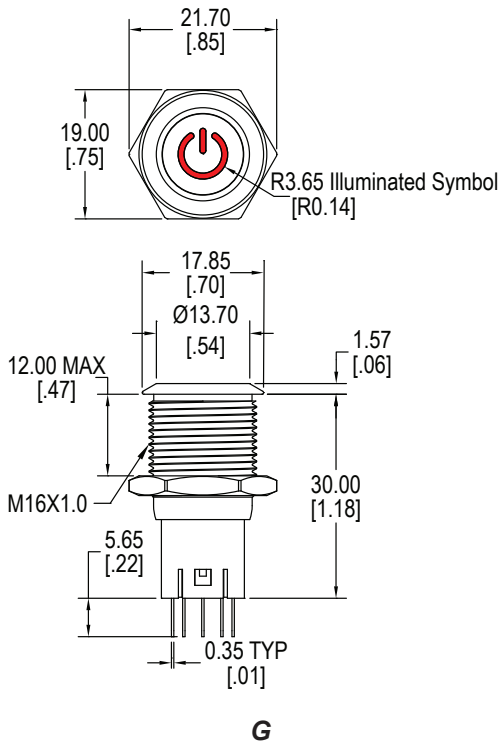
1. Series	CH	2	L	B	N	R	B	12
CH								
2. Number of Poles	1 = SPDT 2 = DPDT							
3. Latching Option	N = Momentary L = Latching							
4. Actuator Style:	A = Flush, non-illuminated B = Flush, ring illuminated C = Flush, dot illuminated D = Raised, non-illuminated E = Raised, ring illuminated F = Raised, dot illuminated G = Flush, universal standby symbol illuminated* H = Raised, universal standby symbol illuminated* <small>*Not available with G, R, U or Y finish options</small>							
5. Switch Finish	S = Stainless Steel N = Nickel Plated B = Black Anodized Aluminum G = Green Anodized Aluminum R = Red Anodized Aluminum U = Blue Anodized Aluminum Y = Yellow Anodized Aluminum							
6. First LED Color	Blank = No LED R = Red Y = Yellow G = Green B = Blue W = White** O = Orange <small>**For bi-color LED option, White not available</small>							
7. Second LED Color	Blank = No LED R = Red Y = Yellow G = Green B = Blue O = Orange							
8. LED Voltage	12 = 12VDC 24 = 24VDC 6 = 6VDC 110 = 110VAC 220 = 220VAC N = No internal resistor in series with the LED							
9. Sealing Options	Blank = IP40, standard S = IP65							

Illuminated Pushbutton - 16mm

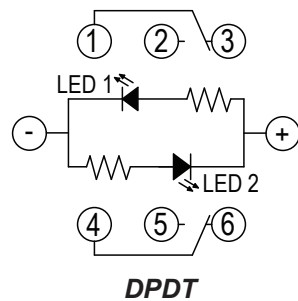
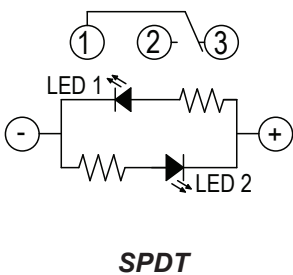
Dimensions



Dimensions

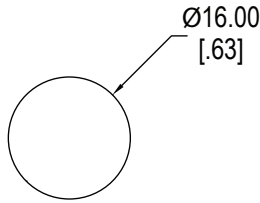


Schematics

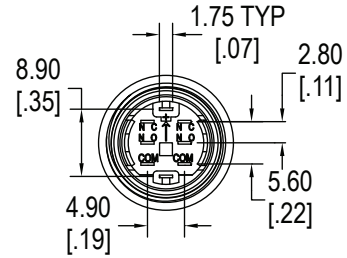


Illuminated Pushbutton - 16mm

Panel Cut-Out



Bottom View



LED Characteristics

LED Ratings		Color							Units
		R	Y	G	B	O	W		
Reverse Voltage	V_R	5	5	5	5	5	5	V	
Forward Current (avg)	I_F	25	25	30	30	25	30	mA	
Forward Current (peak)	I_{FS}	120	120	160	160	120	160	mA	
Reverse Current $V_R = 5V$	I_R	10	10	10	10	10	10	μA	
Power Dissipation	P_T	80	80	120	120	80	120	mW	
Operating & Storage Temperature	T_A	-25 ~ +70						C°	
Forward Voltage (typ) $I_F = 20mA$	V_F	2.1	2.1	3.3	3.3	2.0	3.0	V	
Forward Voltage (max) $I_F = 20mA$	V_F	2.4	2.5	3.6	3.6	2.3	3.6	V	
Wavelength at Peak Emission $I_F = 20mA$	λ_P	635	592	516	463	606	n/a	nm	
Spectral Line Half-Width $I_F = 20mA$	$\Delta\lambda$	14	12	28	20	12	n/a	nm	
Luminous Intensity, $I_F = 20mA$	LI	120	120	170	100	120	700	mcd	
Viewing Angle	Θ	145	145	145	145	145	145	deg	



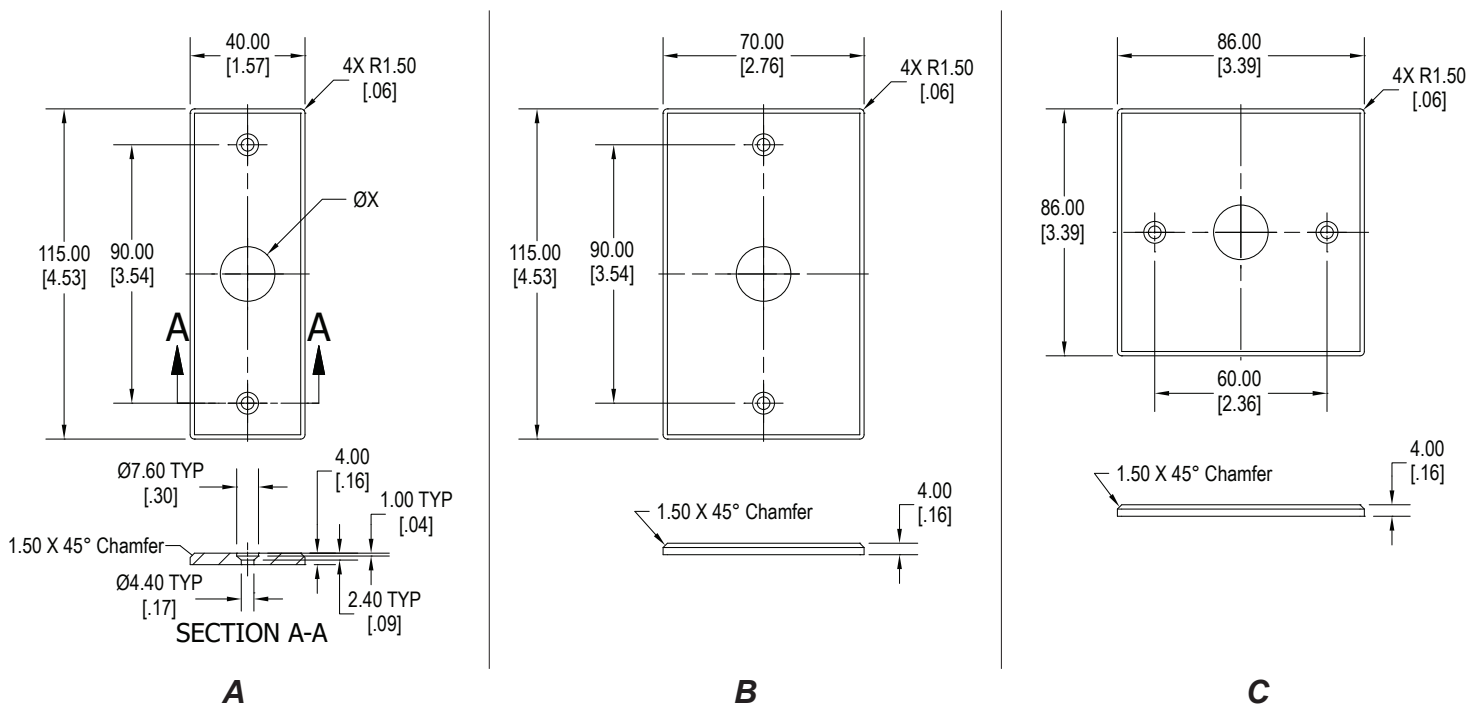
Features

- ◆ Fits standard size electrical boxes
- ◆ Multiple size options
- ◆ 2 finish options
- ◆ Laser etching available

Ordering Information

1. Series	WP	B	16	A	X
WP					
2. Size:	A = 40mm x 115mm B = 70mm x 115mm C = 86mm x 86mm				
3. Hole Size:	16 = 16mm diameter				
4. Material	A = Brushed aluminum Y = Brushed aluminum, yellow anodized				
5. Laser Etching Symbol:	Contact Factory with artwork				

Dimensions



AVH

Aluminum Anti-Vandal Switch Housing



Features

- ◆ Easy installation
- ◆ Multiple size options
- ◆ Aluminum housing

Ordering Information

1. Series	AVH	F	4	16
AVH				
2. Mounting Options: F = With mounting flange T = Without mounting flange				
3. Number of Positions: 1 = 1 position 2 = 2 positions 3 = 3 positions 4 = 4 positions 5 = 5 positions Contact Factory for custom sizes and number of positions				
4. Hole Size: 16 = 16mm diameter				

Dimensions

